

# 670SJ

SELF-LEVELING TELESCOPIC BOOM LIFT

BOOM LIFT



## KEY SPECS

**Platform Height**  
66-ft 10-in / 20.36-m

**Horizontal Outreach**  
57-ft 1-in / 17.40-m

**Drive Speed**  
3.8 mph / 6.1 km/h

**Platform Capacity**  
Restricted: 750-lb / 340-kg  
Unrestricted: 550-lb / 250-kg

## KEY FEATURES

- Get right to work with smart-adapting technology to level on slopes up to 10 degrees, while driving at full height.
- Less bouncing around in the platform helps operators feel less fatigued and less distracted by tools shifting in transit.
- Remove the need for cribbing or grading the job site, trial-and-error positioning or use of larger equipment to reach over uneven terrain.
- A fully integrated advanced control system provides real-time data right on the job site.

## ACCESSORIES & OPTIONS

- 36 x 72-in (0.91 x 1.83-m) Platform
- Cold Weather Start Kit<sup>1</sup>
- Light Package<sup>3</sup>
- Accessory Packages:
  - SkyPower<sup>®</sup>
  - SkyWelder<sup>®</sup>
  - Fall Arrest Platform
  - Flashing Amber Beacon
  - Hostile Environment Kit<sup>2</sup>
  - Inward Swinging Gate
  - Operator Tool Tray

## STANDARD SPECIFICATIONS

### Performance

Platform Height	66-ft 10-in / 20.36-m
Horizontal Outreach	57-ft 1-in / 17.40-m
Swing	360 Degrees Continuous
Tailswing	4-ft / 1.22-m
Platform Capacity (Restricted)	750-lb / 340-kg
Platform Capacity (Unrestricted)	550-lb / 250-kg
Platform Rotator	180 Degrees Hydraulic
Weight*	25,341-lb / 11,494-kg
Max. Ground Bearing Pressure	85 psi / 5.87 kg/cm <sup>2</sup>
Drive Speed 4WD	3.8 mph / 6.1 km/h
Gradeability 4WD	45%
Ground Clearance	1-ft / .33-m
Leveling Capacity (Fore/Aft)	10 Degrees
Leveling Capacity (Side to side)	10 Degrees
Turning Radius 2WD (Inside/Outside)	8-ft 4.4-in (2.55-m) / 18-ft 7.6-in (5.68-m)

\*Certain options or country standards increase weight

### Engine

Diesel Engine – Deutz T4F	67 hp / 50 kW
Fuel Tank Capacity	31 gal / 117 L

### Tires

Standard	Foam-filled
----------	-------------

### Hydraulic System

Capacity	34 gal / 129 L
Auxiliary Power	12V DC

## STANDARD FEATURES

- 12V-DC Auxiliary Power
- Gull-Wing Hoods
- Proportional Controls
- 110V-AC Receptacle in the Platform
- Hourmeter
- Self Leveling Chassis
- All-motion Alarm
- Hydraulic Platform Rotator
- SkyGuard SkyLine™
- Control ADE<sup>®</sup> System
- Integrated Display with Chassis Tilt Indicator
- Swing-Out Engine Tray
- Engine Distress Warning/Shutdown - Selectable via JLG Analyzer
- Lifting/Tie Down Lugs
- Platform Console Machine Status

1. Includes battery blanket, hydraulic tank heater, block heater.

2. Includes boom wipers, cylinder bellows and console cover.

3. Includes platform work lights, head and tail lights, amber beacon.

Additional accessories and options available via JLG Aftermarket.

# 670SJ

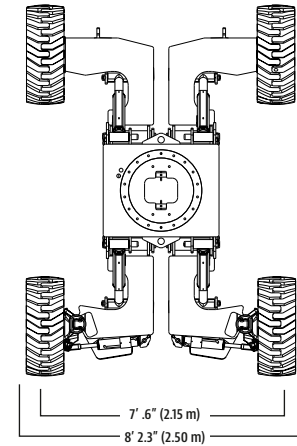
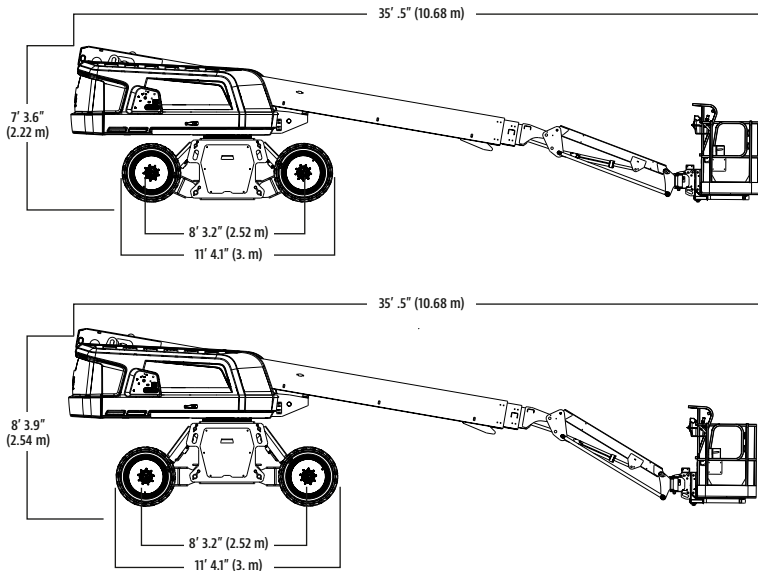
SELF-LEVELING TELESCOPIC BOOM LIFT

BOOM LIFT

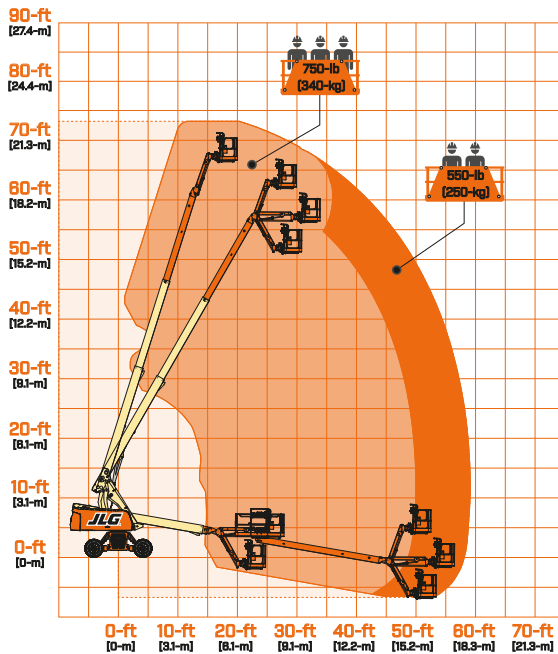


## DIMENSIONS

All dimensions are approximate



## REACH DIAGRAM



We provide coverage for one (1) full year, and cover all specified major structural components for five (5) years. Due to continuous product improvements, we reserve the right to make specification and/or equipment changes without prior notification. This machine meets or exceeds applicable ANSI and CSA requirements based on machine configuration as originally manufactured for intended applications. Please reference the serial number plate on the machine for additional information.



JLG INDUSTRIES, INC.  
Toll-free US 877-JLG-LIFT  
JLG.com

An Oshkosh Corporation Company